


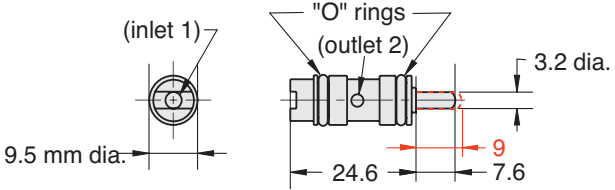
14 Directional Control Valves – M-MAV/M-MAVO Stem & Cartridge Valves Cont'd.

M-MAV/M-MAVO Stem Valves Cont'd.

2/2 Cartridge Valves




(M-MAV-2C shown)



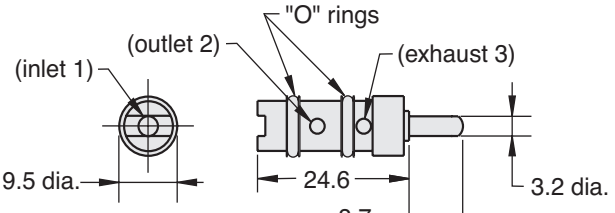
2/2	Function
M-MAV-2C	Normally-Closed
M-MAVO-2C	Normally-Open

Air Flow: 85 L/min @ 3.5 bar; 170 L/min @ 7 bar

3/2 Cartridge Valves



(M-MAVO-3C shown)



3/2	Function
M-MAV-3C	Normally-Closed
M-MAVO-3C	Normally-Open

Air Flow: 85 L/min @ 3.5 bar; 170 L/min @ 7 bar

